

SNAP DMX RELAY 0-10V LIGHTING CONTROL PANEL



Model shown: **PWRLY R8**
(PWRLY R16 fits in same size enclosure)

OVERVIEW

Pathway SNAP Relay Lighting Control Panels provide unified DMX512 control of 0-10VDC outputs and relay switching in a single enclosure.

Intended for use with LED drivers requiring mains switching and 0-10V dimming, and for electronic fluorescent ballasts.

Each SNAP Panel consists of 8 or 16 DMX-controlled relays and a 16-way 0-10VDC control interface. Each relay and each analog output can be patched to any DMX address, allowing you to control the outputs and relays interdependently or paired up.

FEATURES

- DMX512 control of 8 or 16 normally-closed (NC) single-pole latching relays and 16 analog 0-10VDC outputs
- DMX512 start address configurable from front panel or remotely using RDM
- Each output may be assigned a non-sequential DMX address
- Analog output may be paired with relays for unified single DMX slot control, or control of relays and analog output may be split by assigning different DMX addresses to each
- Outputs may be patched to Auxiliary Input dry contact inputs
- User-configurable relay trigger threshold
- Indicator LEDs for Power, Processor, DMX Input, Relay state
- Test features include on-board relay test and review of incoming DMX levels on a slot-by-slot basis
- DMX line termination switch
- One DMX Input, and one DMX Thru connection

WARRANTY

3-year limited warranty. Complete warranty terms located at: <https://www.acuitybrands.com/support/warranty>

NOTE

Actual performance may differ as a result of end-user environment and application. Specifications subject to change without notice.

ORDERING INFORMATION

PWRLY		EXAMPLE: PWRLY R16	
Series		Relay Quantity	
PWRLY	Pathway SNAP DMX Relay	R8	8-Relays
		R16	16-Relays

Accessories

PWACC R1NC Pathway Accessory, 1 Relay NC Latching

SPECIFICATIONS

Electrical	Input Ratings	120/277VAC transformer line voltage input
	Output Ratings	100mA per channel, sinking control 10mA per channel, sourcing
	Relay Ratings	Normally-closed (NC) Single Pole Relays 30A @ 277VAC Ballast 20A @ 120VAC Tungsten 20A @ 347VAC Ballast SCCR 18kA @ 277VAC Rated for 250,000 actuations
	Regulatory Compliance	cULus, UL924 Mixed voltages allowed in cabinet in accordance with NEC and local code requirements

Mechanical	Dimensions	12.0" W x 18.0" H x 6.0" D (305mm W x 457mm H x 152mm D)
	Weight	27.0 lbs (12.25 kg)

Environmental	Operating Temperature	14°F to 113°F (-10°C to 45°C)
	Relative Humidity	5-95%, non-condensing

General	Compliance	ANSI E1.11 DMX512-A R2013 ANSI E1.20 RDM - Remote Device Management ANSI E1.3 0-10V Analog Control ANSI C82.11 Fluorescent Ballast Control
----------------	-------------------	---

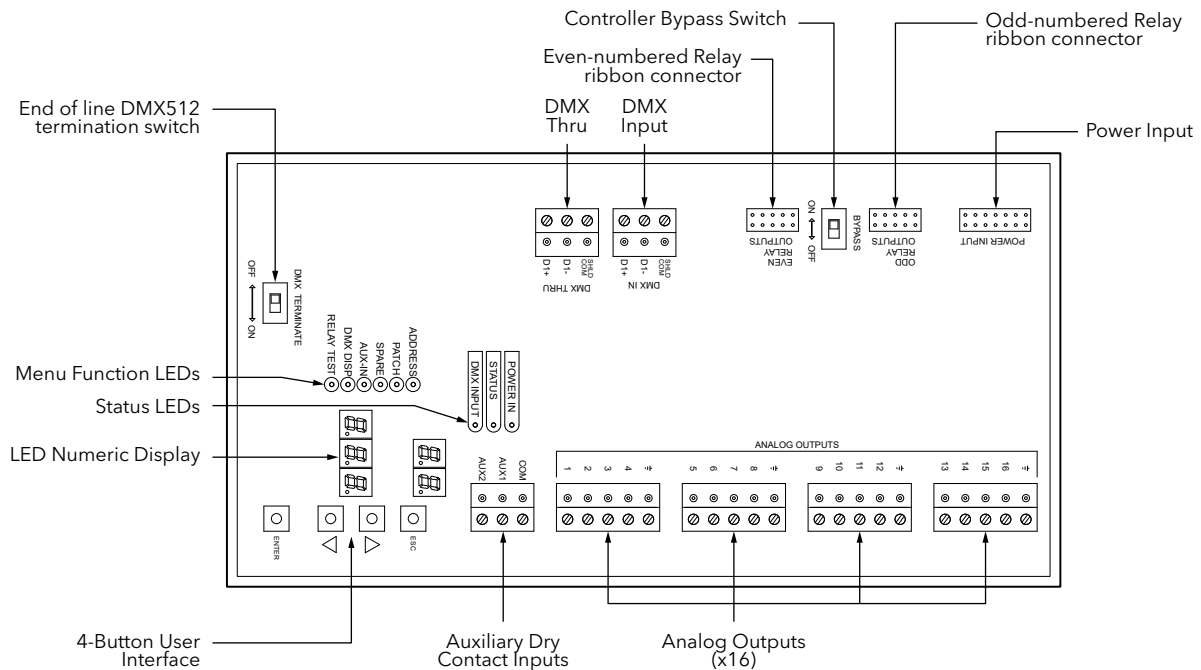
PART NUMBER CROSS-REFERENCE

PREVIOUS		NEW
Part Number	Catalog Number	Description
4850-8	PWRLY R8	Relay Lighting Control Panel with 0-10v, 8-Relays
4850-16	PWRLY R16	Relay Lighting Control Panel with 0-10v, 16-Relays

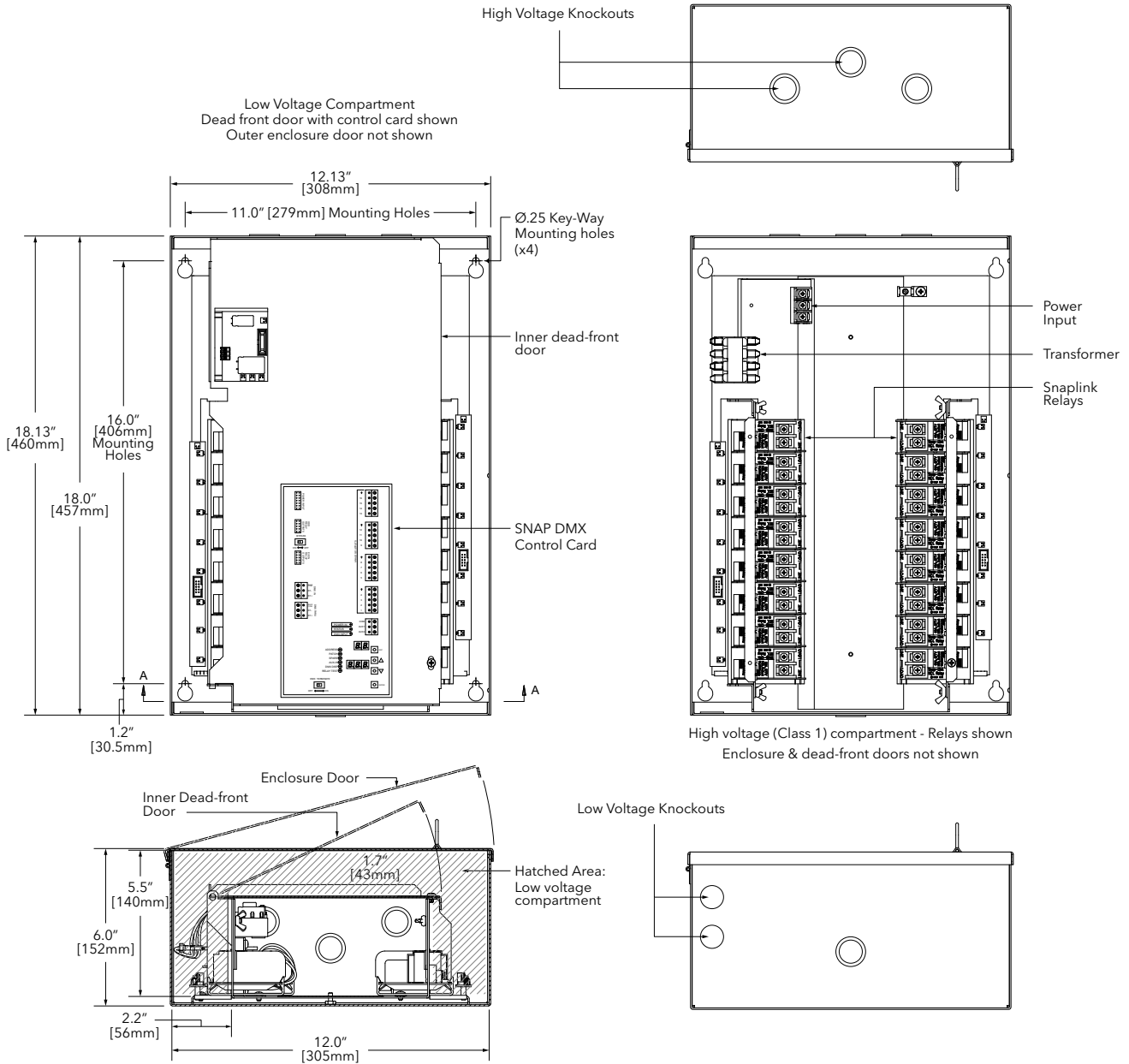
WIRING

DMX512 / RDM PINOUT		
Purpose	XLR / Terminal Block Pin #	RJ45 PIN # and Wire Color
Shield / Common	1	7 - White / Brown
Data - (complement)	2	2 - Orange
Data + (true)	3	1 - White / Orange
Not Used	4	6 - Green
Not Used	5	3 - White / Green
Not Used - Do Not Connect	N/A	4 - Blue
Not Used - Do Not Connect	N/A	5 - White / Blue
Not Used - Do Not Connect	N/A	8 - Brown

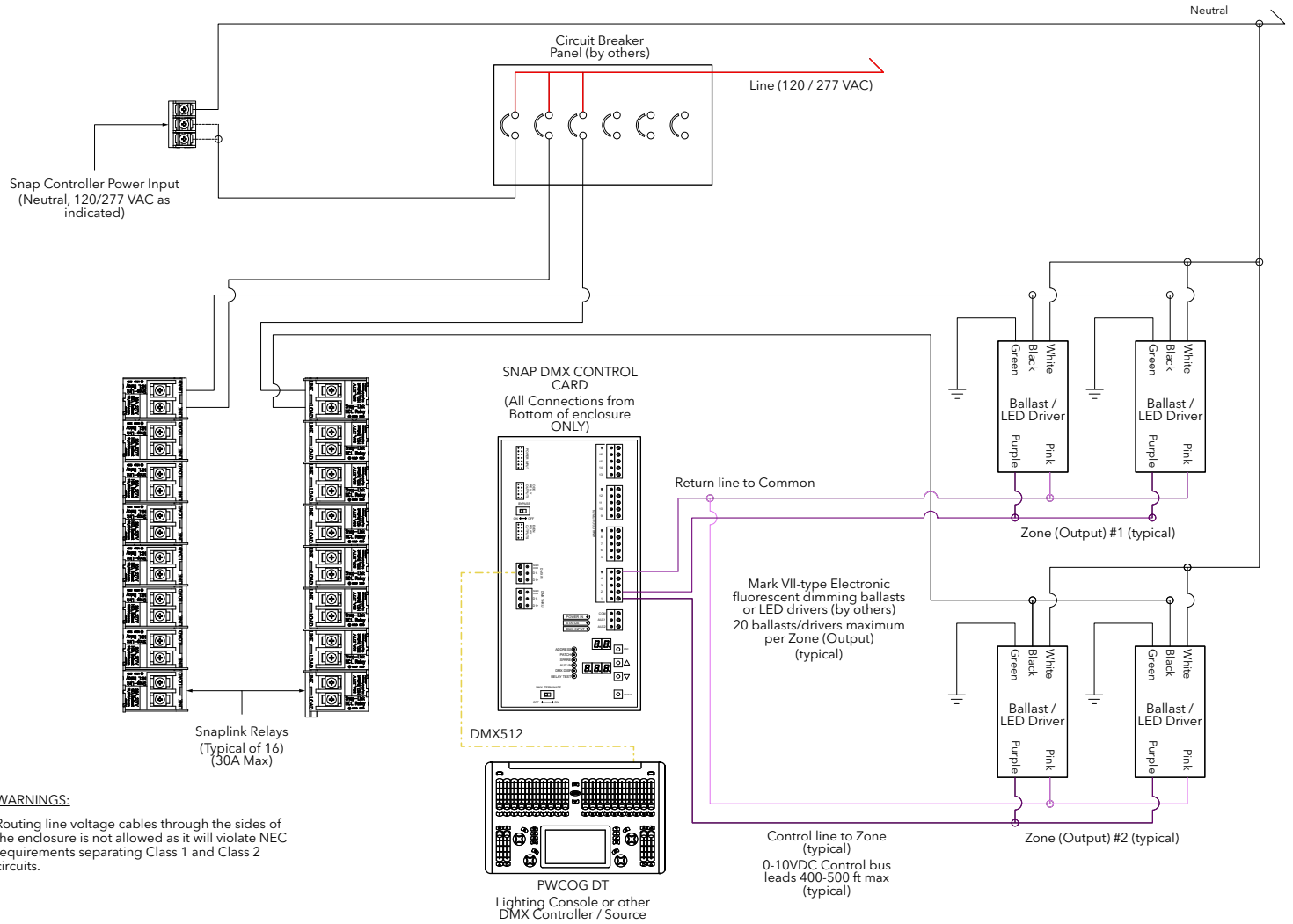
SNAP DMX CONTROLLER CARD



DIMENSIONS



APPLICATION RISER



WARNINGS:

Routing line voltage cables through the sides of the enclosure is not allowed as it will violate NEC requirements separating Class 1 and Class 2 circuits.